

Sea Recovery Aqua Matic Dual Pass

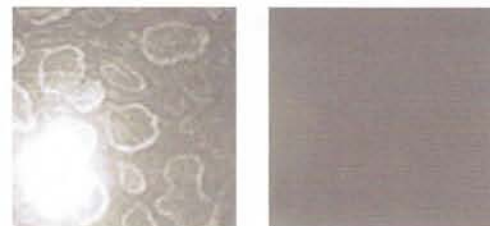
Mid to Mega Yachts
(40 - over 80 ft / 12 - over 24 m)



Tomorrow's Technology, Here Today

Introducing our new and most revolutionary member of the Sea Recovery Family. Specialized for those demanding ultra-pure and clean potable water.

Use Ultra-Pure Water to Leave Your Boat Spotless and Clean



Aqua Matic Dual Pass - compact

Contact Information:

Parker Hannifin Corporation
Water Purification
2630 E. El Presidio Street
Carson, CA 90810

phone 310 608 5600
fax 310 608 5692
waterpurification@parker.com

Website:
www.parker.com/waterpurification

Sales:
waterpurification@parker.com

Tech Support:
watertech@parker.com

Features & Benefits:

- Highest capacity to footprint/ weight ratio
- Up to 3400 GPD from sea water
- Self-contained, plug and play system
- Titanium high pressure pump provides an extended life cycle with salt water compatibility and quiet operations
- Flexible installation and easy to operate
- Globally supported by a network of more than 300 dealers and distributors



Special Features

- 8 inch Color Remote-Mounted Touch Screen
- Real Time Water Quality Monitor
- Screens are Available in Multiple Languages



Specifications

Model #	Fresh Water Production from Sea Water	Water Production from Sea Water	Water Production from Dock Water*	Weight
A400C-1800GPD-1400GPD	1800 GPD 6814 LPD	1400 GPD 5300 LPD	1400 GPD 5300 LPD	413 lbs / 187 kg
A400C-2600GPD-2200GPD	2600 GPD 9842 LPD	2200 GPD 8328 LPD	2200 GPD 8328 LPD	413 lbs / 187 kg
A400C-3400GPD-2900GPD	3400 GPD 12870 LPD	2900 GPD 10978 LPD	2900 GPD 10978 LPD	428 lbs / 194 kg

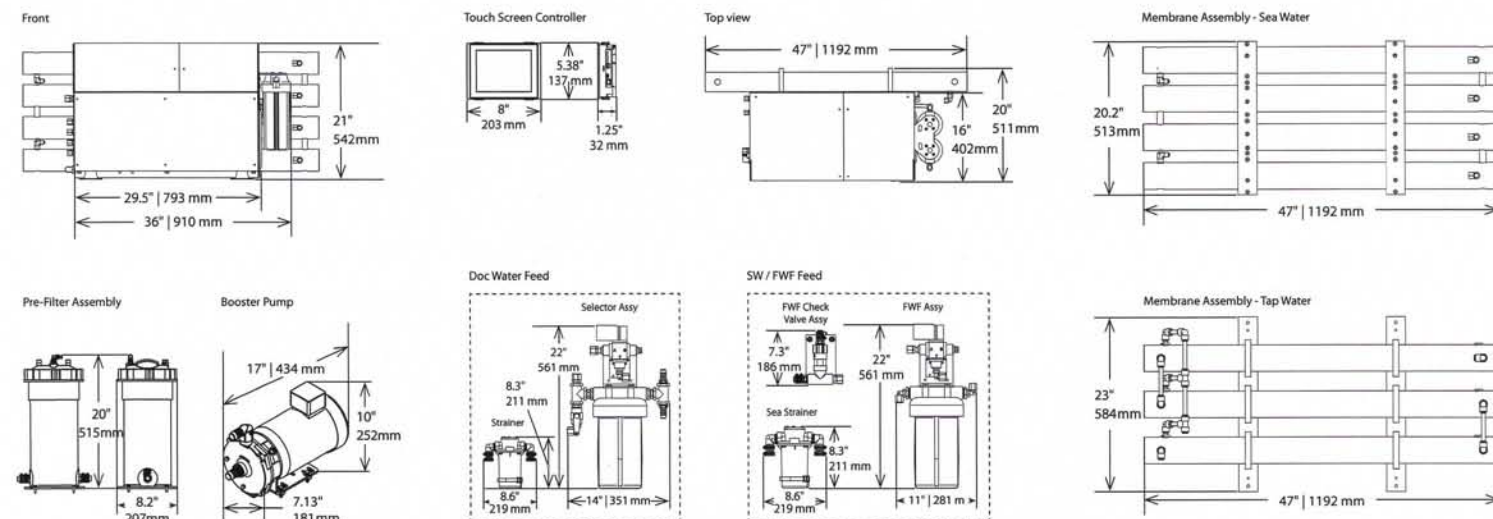
*Production may vary +/-20% | GPD: Gallons per day • LPD: Liters per day

ELECTRICAL

Pump Motor /HP	Voltage VAC	Hz	Phase	Normal Operating Amps	Start Up Current
Booster 1.5/2	220/380//230/460	50//60	3	4.8/2.4//5/2.5	14/7.2//15/7.5
Booster 1.5/1	115/230	50//60	3	14.2/7.1//18.2/9.1	54

Model #	Pump Motor /HP	Voltage VAC	Hz	Phase	Normal Operating Amps	Start Up Current	Circuit Breaker Amp
1800/1400	5	190/380//230/460	50/60	3	15.6/7.8//13.4/6.7	47/24//40/20	51/26/46/23
2600/2200-3400/2900	5//7.5	190/380//230/460	50/60	3	16.2/8.1//19/9.5	49/25//57/29	53/27//60/30
1800/1400	5	220/230	50/60	1	24/21.8	72/66	83/73

Dimensions



WARNING: This product can expose you to chemicals including Di(2-ethylhexyl) phthalate (DEHP), which is known to the state of California to cause cancer and birth defects or other reproductive harm. For more information go to www.P65Warnings.ca.gov.

